

# 2013 DOOR STYLES

Please verify door styles and colors with actual samples prior to placing your order.



## Albany - Birch

Slab birch veneered 3/4" plywood door with back beveled radius edge.  
\*Available on framed cabinets only.  
Cinnamon shown  
**Severe Use**  
**Standard Door**  
Not available in NAUF



## Coventry Oak or Maple *Glazing*

Shaker style oak or maple mortise and tenon door.  
5 pc drawer head.  
Honey Maple shown



## New Haven Oak or Maple *Glazing*

Wide rail shaker style oak or maple mortise and tenon door.  
5 pc drawer head.  
Mocha Maple shown



## Beaumont - Oak *Glazing*

Raised panel oak picture frame door with mortise and tenon joints. Door rails have rounded outer lip profile.  
Available in stain with glazing.  
Cafe shown



## Darby - Maple

Shaker style maple mortise and tenon door with 2" wide door rails featuring bead board center panel.  
Cherry shown

Not available in NAUF



## Newport Oak or Maple *Glazing*

Wide rail shaker style oak or maple mortise and tenon door.  
Slab drawer head.  
Mocha Maple shown

Not available in NAUF



## Bridgeport Oak or Maple *Glazing*

Wide rail shaker style oak or maple mortise and tenon door with raised center panel.  
Mocha Maple shown  
Not available in NAUF



## Galveston - Oak

Slab oak veneered door with squared edge and edge banding to match selected stain.  
Cinnamon shown

Not available in NAUF



## Peyton - Maple

Slab maple veneered door with squared edge and edge banding to match selected stain.  
Natural shown

Not available in NAUF



## Cambridge Oak or Maple *Glazing*

Flat panel oak or maple picture frame door with mortise and tenon joints. Door rails have shaker style outside profile with bead inside profile. 5 pc drawer head.  
Mocha Maple shown



## Madison - Maple

Flat panel maple picture frame door with mitered joints, decorative inner edge profile featuring bead board center panel.  
Cafe shown

Not available in NAUF



## Plymouth Oak or Maple

Wide rail shaker style oak or maple mortise and tenon door with bead board center panel.  
Slab drawer head.  
Mocha Maple shown

Not available in NAUF



## Catalina - Maple *Glazing*

Raised panel birch picture frame door with mortise and tenon joints. Door rails have rounded outer lip profile.  
Available in stain with glazing.  
Nutmeg shown

Not available in NAUF



## Manhattan

Slab thermofoil door with rounded edge profile.  
Nutmeg shown

Minimum 50 kitchen order for NAUF



## Portrait - Oak *Glazing*

Flat panel oak picture frame door with mitered joints and decorative inner edge profile.  
Available in stain with glazing.  
Cafe shown



**Samara - Maple**  
**Glazing**  
Flat panel maple picture frame door with mitered joints and decorative inner edge profile. Available in stain with glazing. Honey shown



**Sierra - Oak**  
**Glazing**  
Shaker style oak mortise and tenon door with 2" wide door rail. Cinnamon shown



**Stoneridge - Maple**  
**Glazing**  
Flat panel birch picture frame door with mortise and tenon joints. Door rails have rounded outer lip profile. Available in stain with glazing. Cherry with Glaze shown



**San Antonio - Oak**  
**Glazing**  
Flat panel oak picture frame door with mortise and tenon joints. Door rails have rounded outer lip profile. Cherry shown



**Sonoma Oak or Maple**  
Flat panel oak or maple picture frame door with mortise and tenon joints with bead board center panel. Door rails have rounded outer lip profile. Nutmeg Oak shown  
Not available in NAUF



**Stratford - Oak**  
Shaker style oak mortise and tenon door with 2" wide door rail featuring bead board center panel. Cafe shown  
Not available in NAUF



**Shaker - Maple**  
**Glazing**  
Shaker style birch mortise and tenon door with 2" wide door rail. Available in stain with glazing. Natural with Glaze shown



**St. Barts**  
Slab thermofoil door with 45 degree front bevel edge profile. Pearwood shown  
Minimum 50 kitchen order for NAUF



**Victoria - Oak**  
Flat panel oak picture frame door with mitered joints, decorative inner edge profile featuring bead board center panel. Cafe shown  
Not available in NAUF



**Shaker-TF**  
Shaker look thermofoil door. Tannery shown  
Minimum 50 kitchen order for NAUF



**St. Croix**  
Raised panel look thermofoil door with routing bead board center and rounded edge profile. Cherry shown  
Minimum 50 kitchen order for NAUF



**Vintage - Oak Carolina - Maple**  
**Glazing**  
Raised panel oak or maple picture frame door with mitered joints and decorative inner edge profile. Available in stain with glazing. Honey shown  
Not available in NAUF



**Sherwood Oak or Maple**  
**Glazing**  
Flat panel oak or maple picture frame door with mortise and tenon joints. Door rails have shaker style outside profile with bead inside profile. Mocha Maple shown



**St. Moritz**  
Raised panel look thermofoil door with rounded edge profile. Maple shown  
Minimum 50 kitchen order for NAUF



**West Haven Oak or Maple**  
Wide rail shaker style oak or maple mortise and tenon door with bead board center panel. 5 pc drawer head. Mocha Maple shown  
Not available in NAUF

## COLORS

*Natural on maple only, white on frameless cabinets only.*



Foil - White



Foil - Maple



Foil - Pearwood



Foil - Nutmeg



Foil - Cherry



Foil - Tannery



Natural



Honey



Cinnamon



Nutmeg



Cherry



Cafe



Mocha

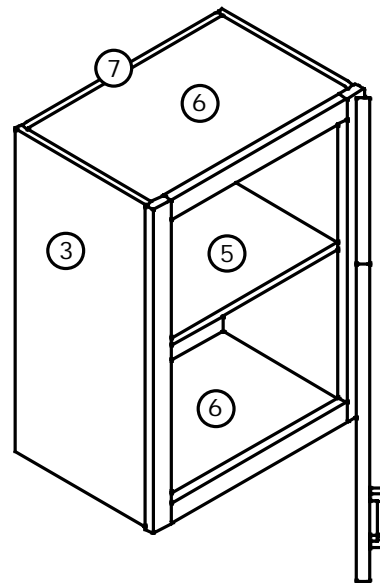
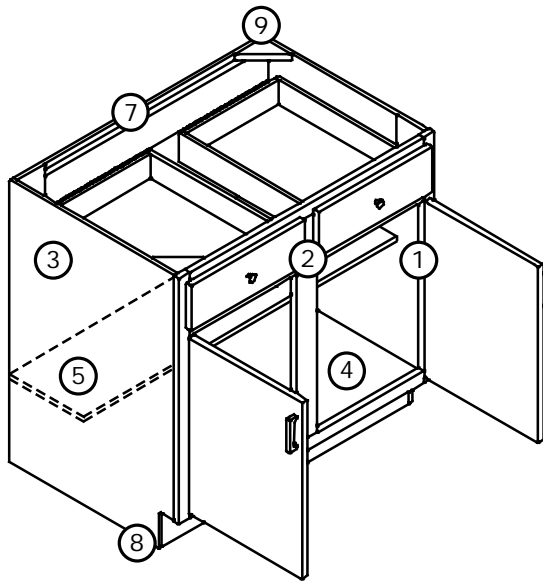


Cognac

Note: White only available on Frameless Cabinets. Please verify door styles and colors with actual samples prior to placing your order.

\*All door styles have one-piece drawer heads with edge profiles matching the door style except where noted.

# CABINET CONSTRUCTION

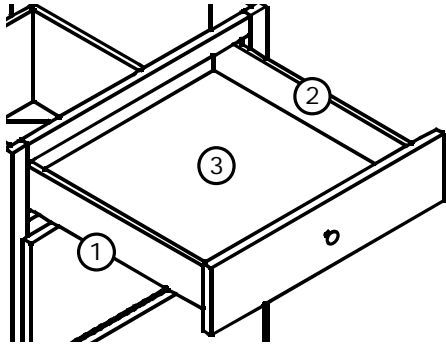


Component	Traditional Standard Cabinets	Traditional Choice Cabinets	Traditional Plywood Cabinets	Traditional Severe Use Cabinets	Frameless Frameless Cabinets
<b>Overlay</b>	<b>Standard Overlay</b>	<b>Standard Overlay</b>	<b>Standard Overlay</b>	<b>Standard Overlay</b>	<b>Full Overlay</b>
<b>1. Hinges</b>	1/2" overlay concealed	1/2" overlay concealed	1/2" overlay concealed	Semi-concealed, self-closing	Frameless, fully concealed
<b>2. Face Frame</b>	3/4" oak or maple	3/4" oak or maple	3/4" oak or maple	3/4" oak or maple	N/A
<b>3. End Panels</b>	3/8" particleboard	1/2" particleboard	1/2" plywood	1/2" plywood	5/8" particleboard
<b>4. Base Bottoms</b>	3/8" particleboard	1/2" particleboard	1/2" plywood	1/2" plywood	5/8" particleboard
<b>5. Shelves</b>	1/2" particleboard, base fixed & walls adjustable	5/8" particleboard, wall & base adjustable	1/2" plywood, wall & base adjustable	3/4" plywood, wall & base fixed	5/8" particleboard, wall & base adjustable
<b>6. Wall Tops/Bottoms</b>	3/8" particleboard	1/2" particleboard	1/2" plywood	1/2" plywood	5/8" particleboard
<b>7. Backs</b>	1/8" hardboard	1/8" hardboard	1/4" plywood	1/4" plywood	1/8" hardboard
<b>8. Toe Kicks + overlay</b>	1/2" particleboard (inset)	1/2" particleboard (inset)	1/2" plywood (inset)	Pressure treated solid lumber platform toe kick	5/8" particleboard (inset)
<b>9. Corner Blocks</b>	Triangular Nylon	Triangular Nylon	Triangular Nylon	3/4" x 1 3/4" front to back wood blocks	Triangular Nylon

## Notes:

- Standard base bottoms are laminated on the interior side only.
- Standard base shelves are fixed, laminated on both sides and edge banded.
- Wall tops and bottoms are laminated on both sides and edge banded.
- When ordering, specify base and/or wall skins if species matched end panels are desired
- Butt Door Cabinets not available with Severe Use Hinge

# DRAWER CONSTRUCTION



**Notes:**

- Standard Distributor - drawer boxes are butt joint particleboard construction with top side of drawer edge banded.

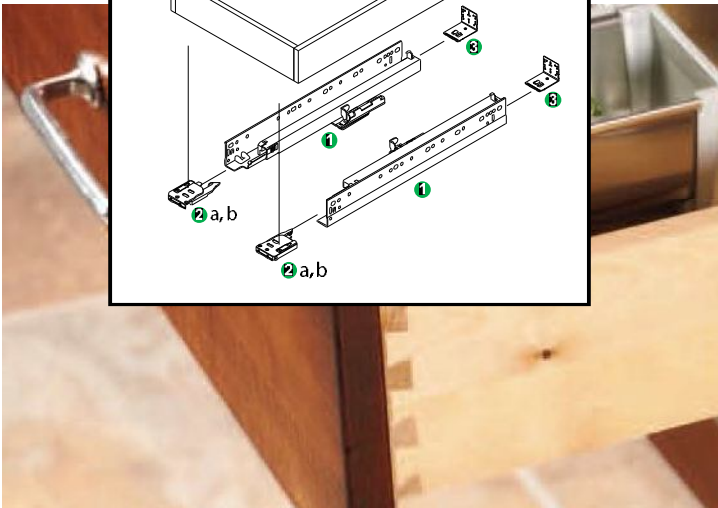
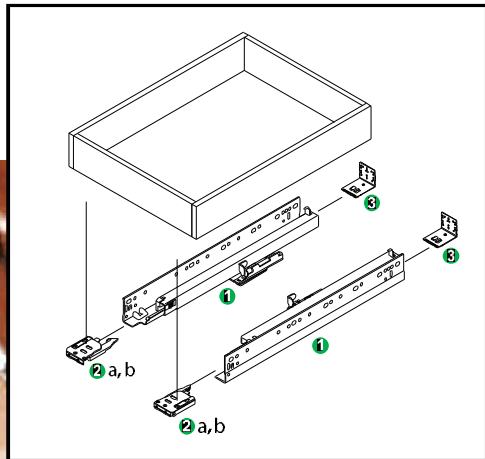


Component	Traditional Standard Cabinets	Traditional Choice Cabinets	Traditional Plywood Cabinets	Traditional Severe Use Cabinets	Frameless Frameless Cabinets
1. Drawer Guides	Epoxy, 100 lb capacity	Epoxy, 100 lb capacity	Epoxy, 100 lb capacity	75 lb capacity	Epoxy, 100 lb capacity
2. Drawer Box	1/2" particleboard	1/2" plywood	1/2" plywood	3/4" solid wood / plywood deep	5/8" particleboard
3. Drawer Bottom	1/8" hardboard	1/4" plywood (captured)	1/4" plywood (captured)	1/4" plywood	1/8" hardboard

# DOVETAIL AND PLYWOOD CAPTURED BOTTOM DRAWER BOXES

## Full Extension Undermount Soft Close Guides and Dovetail Drawer

**\$45.00 NET per drawer**  
Must order dovetail drawer



## All wood construction with Captured Bottom



**Plywood drawer** features an all wood construction with edge banding and a drawer bottom held in grooves on all four sides for a "fully captured" bottom. Our plywood drawer box comes standard in both the choice and plywood cabinets. We focus on continuous improvements to provide you with a good product at a reasonable price.