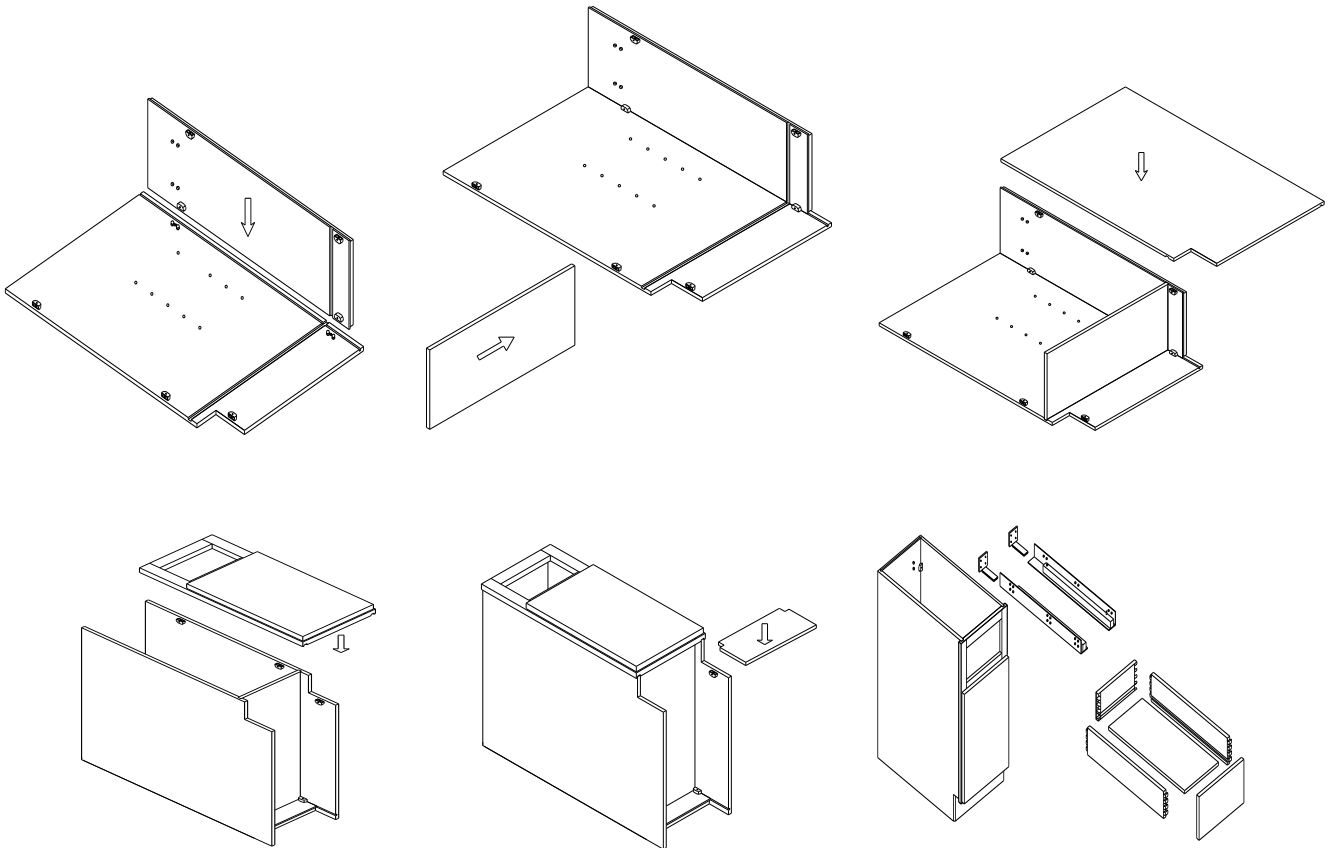


Base Cabinet Assembly Instructions

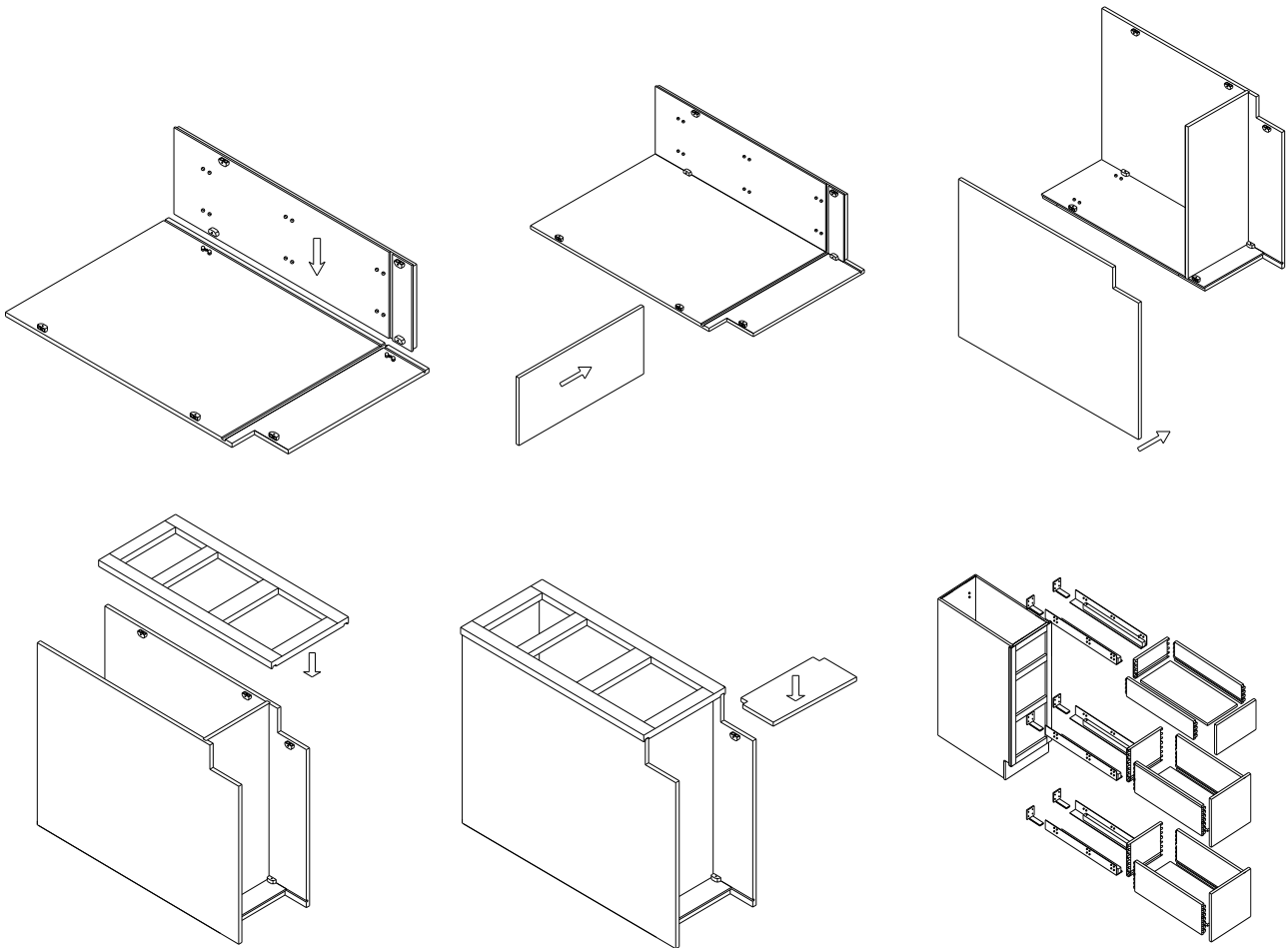
Tools needed: Flat head screwdriver, wood glue, rubber mallet, drill **Optional:** Nail gun, Stapler



1. First put the grey rail holders into the holes on the back panel. Then lock the back panel onto a side panel.
2. Next slide in the bottom panel.
3. Lock on the side panel for the other side.
4. Lock on the face frame. IF the side panels or bottom panel are a little warped, tap it with the rubber mallet.
5. Add on toekick piece.
6. Assemble the drawers together with wood glue and the rubber mallet.
7. Put in the rails. Place the front of the rails at the bottom of the openings for each drawer before screwing them in.
8. Put in the drawers.

Drawer Base Cabinet Instructions

Items needed: Flat head screwdriver, Wood Glue, Drill, rubber mallet **Optional:** Nail Gun, Stapler

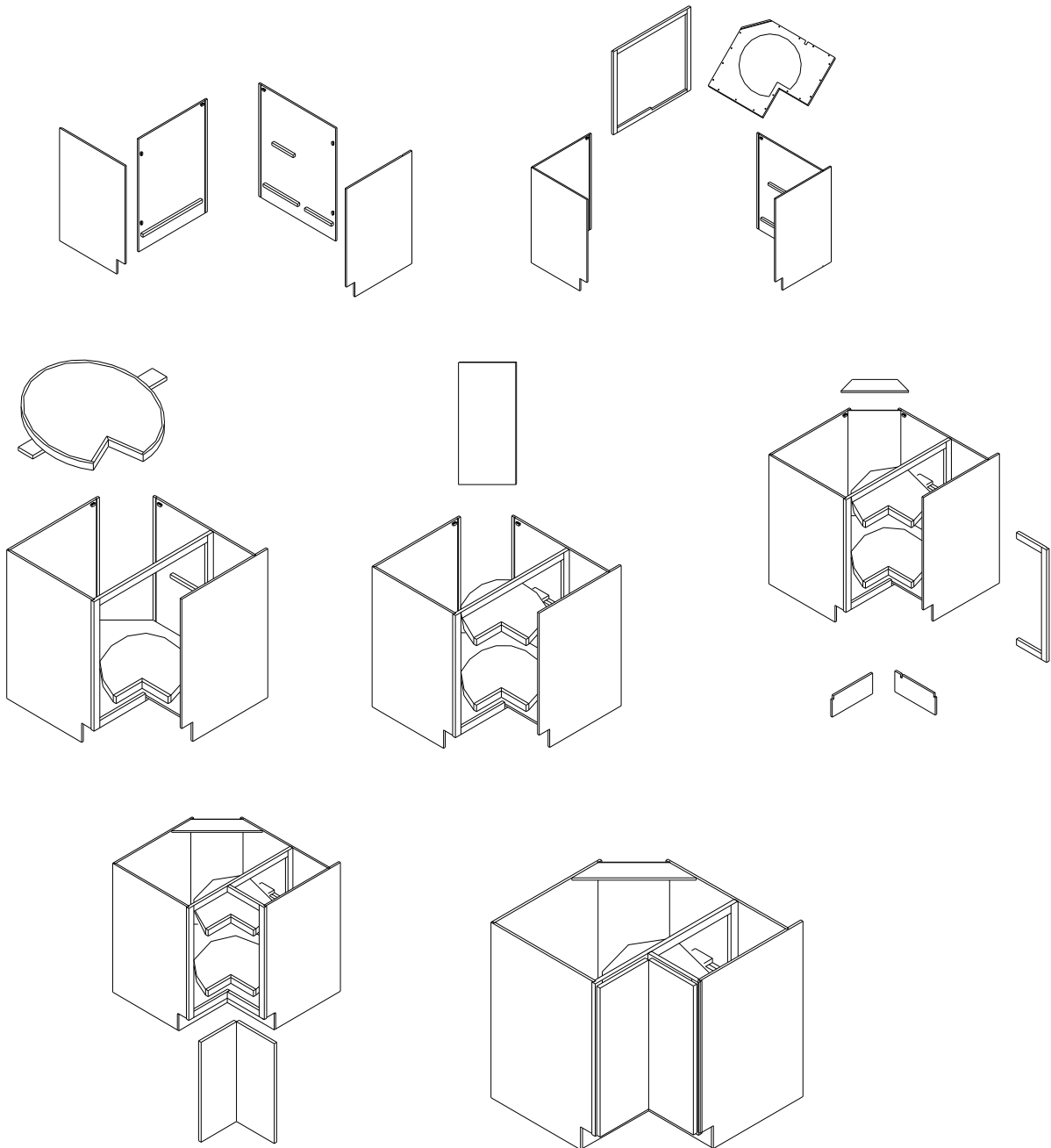


1. First put the grey rail holders into the holes on the back panel. Then lock the back panel onto a side panel.
2. Next slide in the bottom panel.
3. Lock on the side panel for the other side.
4. Lock on the face frame. IF the side panels or bottom panel are a little warped, tap it with the rubber mallet.
5. Add on toekick piece.
6. Assemble the drawers together with wood glue and the rubber mallet.
7. Put in the rails. Place the front of the rails at the bottom of the openings for each drawer before screwing them in.
8. Put in the drawers.

Base Lazy Susan Assembly Instructions

Tools Required: Drill, Rubber Mallet, Another Person, Wood Glue

Optional: Nail guns, Staplers



First lock the side panels together. The wooden piece attached to the side panels should be at the bottom for all the panels.

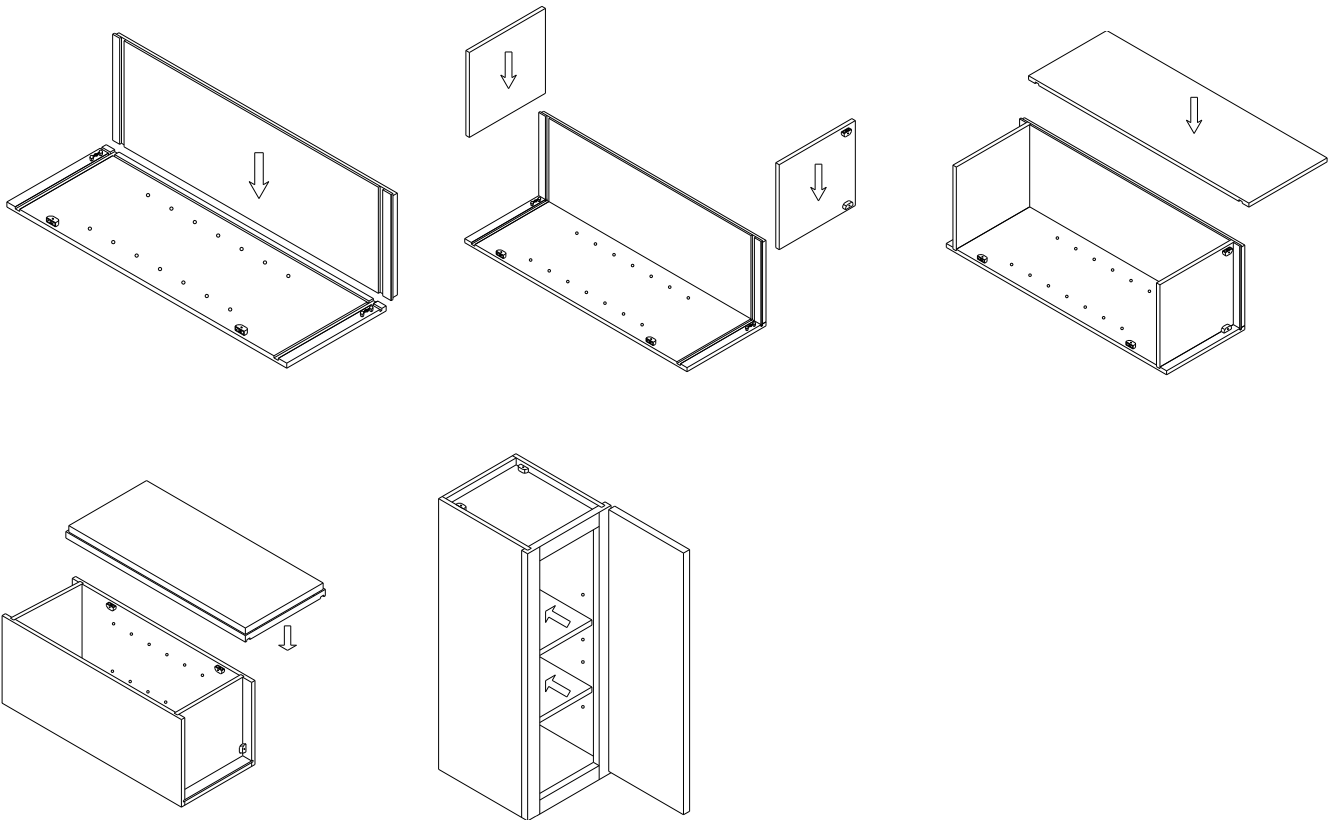
1. Next lock the large square frame onto the front of the left set side panels. Lock the C-Frame onto the right set of side panels.
2. Now carefully set in the large plate with one spinning shelf pre-attached to it.
3. Push the side panels together towards the large plate. Make sure the grooves in the back are perfectly flush.
4. Next slide in the thin back plate into that groove. Combine both side panels using the trapezoid

connector piece and lock the cam locks.

5. Attach the C-Frame onto the square frame with an L Bracket and attach the square frame onto the side panel using the long screws.
6. Mount the spinning shelf onto the rectangular board with the black spinning hardware plate. Attach it onto the side panels LAST.
7. Next screw the hinges onto the doors and attach the doors onto the square frame.
8. Now set the entire Lazy Susan off on one of the side panels and lock the toe kicks using, left one first.
9. Now set in the middle shelf of the Lazy Susan and screw it onto the ledges on the side panels using the long screws.

Wall Cabinet Assembly Instructions

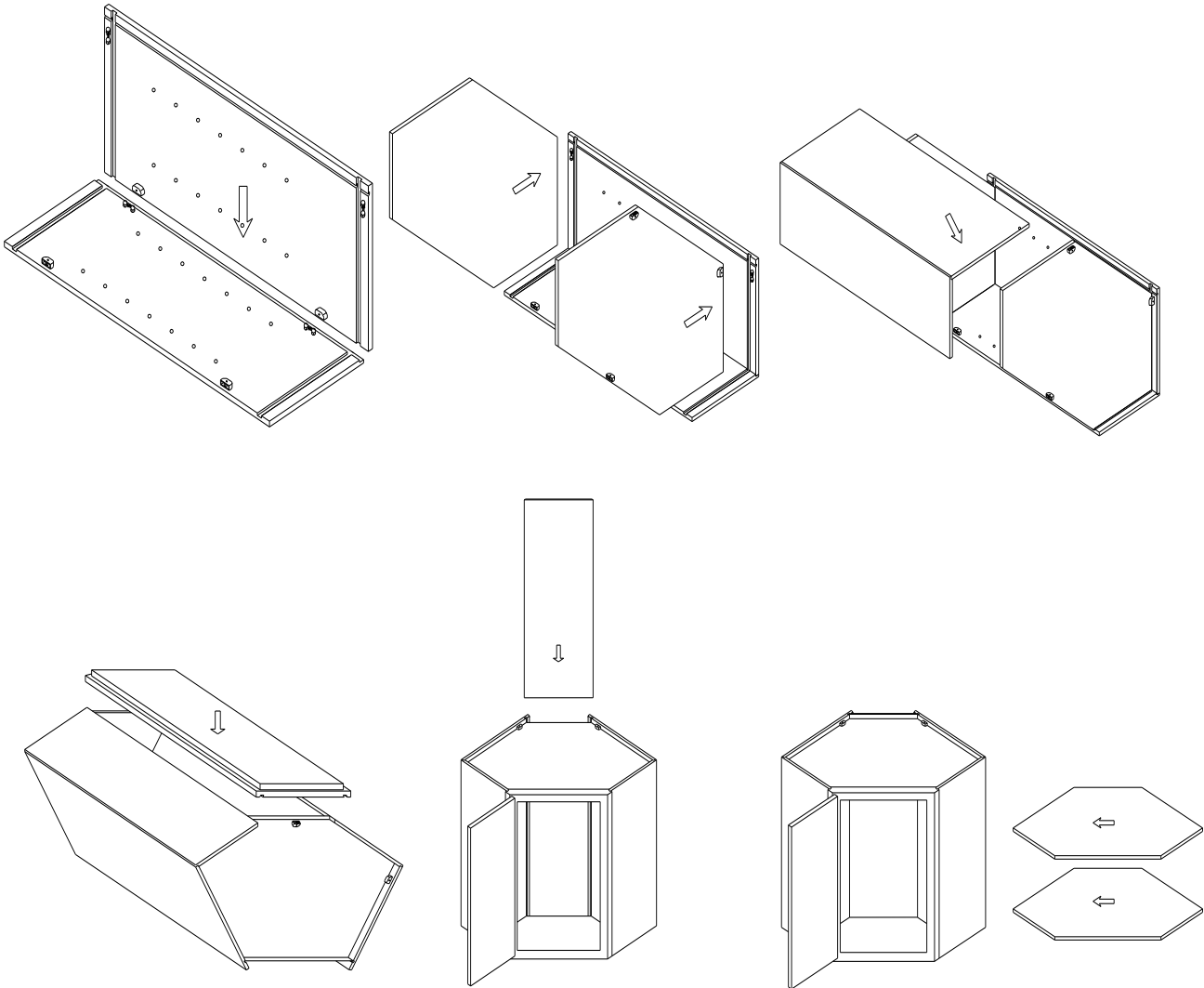
Items Needed: Drill, Rubber Mallet, and for some cabinets, a screwdriver, Wood glue **Optional:** Nail Guns, Stapler



1. Put the back panel in the back groove on one of the side panels.
2. Lock in both the bottom and top pieces. For the smaller cabinets there are no cam locks on these.
3. Lock on the other side panel.
4. Lock on the face frame.
5. Insert shelf pins and shelves.

Diagonal Wall Corner Cabinet (Cam Lock)

Items Needed: Rubber Mallet a flat-head screwdriver. **Optional:** Nail Guns, Wood Glue, Stapler



1. Line up the grooves of the side panels, 1 wide one and one narrow one. Make sure all the cam locks are open. Lock the two sets of side panels together.
2. Next take 1 set of side panels and attach the hexagon tops and bottoms by interlocking the cam locks.
3. Carefully attach the second set of side panels onto the other side of the top and bottom panels.
4. Put the doorframe onto the side where cam locks are showing. Lock the top and bottom cam locks first before locking the ones within the cabinet frame.
5. Slide in back panel. May need to hammer a little bit to fully slide it down.
6. Insert shelf pins and shelves.